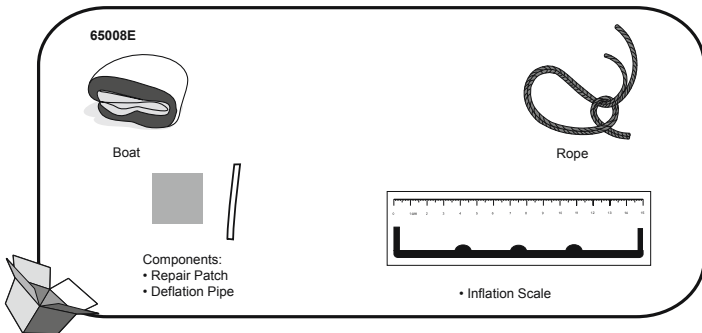
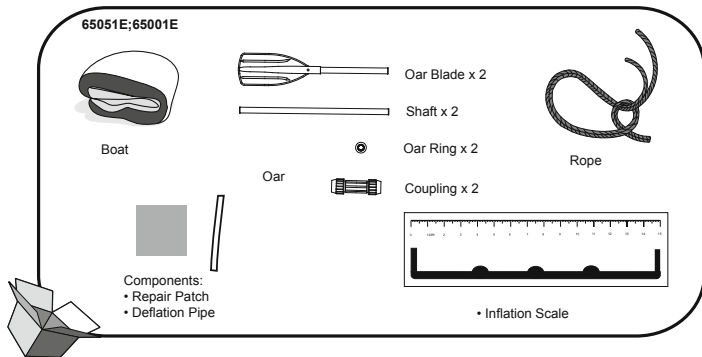


Bestway®

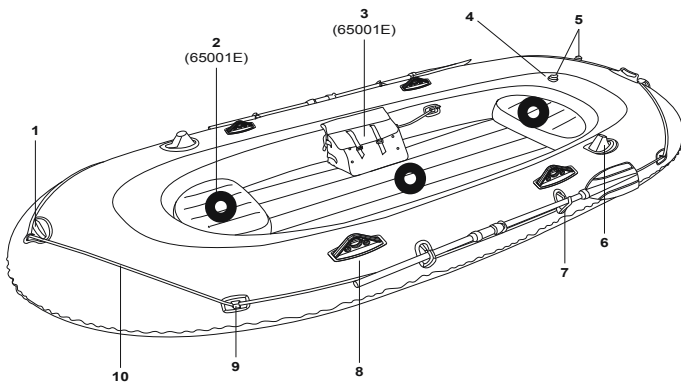
65001E, 65051E, 65008E

www.bestwaycorp.com

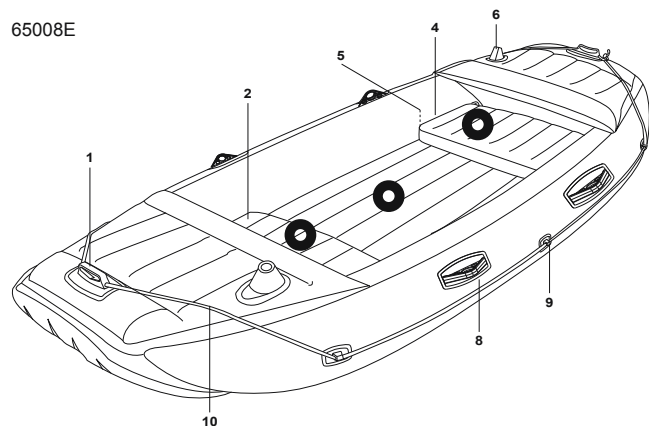


Construction of the boat

65001E, 65051E



65008E



⊙ - Recommended seating arrangement of the occupants.

NOTE: All pictures for illustration purpose only. May not reflect actual product. Not to scale.

1	2	3	4	5
Heavy-duty Handle	Inflatable Seat Cushion	Storage Bag	Printed Scale	Valve
6	7	8	9	10
Fishing Rod-Holder	Oar Clasp	Oarlock	Rope Grommet	Safety-grab Rope

The boats are designed and manufactured in conformity with ABYC H-28. Boat Design Category -"SHELTERED WATERS": Designed for voyages on sheltered coastal waters, small bays, small lakes, rivers and canals when conditions up to, and including, wind force 4 and significant wave heights up to, and including, 0.3m may be experienced, with occasional waves of 0.5m maximum height, for example from passing vessels.

WARNING: To avoid damage to the boat and injury to passengers, please don't exceed the data given on the builder's plate.

Technical Specifications

Item	65051E	65001E	65008E
Inflated Size	8ft. x 40in. 2.43m x 1.02m	11ft.5in. x 56in. 3.48m x 1.41m	10ft.4in. x 49in. 3.16m x 1.24m
Deflated Size	8ft.4in. x 46 in. (2.55m x 1.17m)	10ft.22in. x 64.5in. (3.61m x 1.65m)	10ft.10in. x 51in. (3.30m x 1.30m)
Maximum Load Capacity	374 lbs.(170 kg)	573 lbs.(260 kg)	661 lbs.(300 kg)
Maximum Number of Persons	2 adults	3 adults	3 adults
Recommended Working Pressure	0.03 bar (0.50 psi)	0.03 bar (0.50 psi)	0.03 bar (0.50 psi)
Dry Weight	15.3 lbs.(6.95 kg)	28.5 lbs.(12.94 kg)	26.9 lbs.(12.19 kg)

WARNING

IMPORTANT SAFETY INSTRUCTIONS

Follow all the Safety and Operating Instructions. If you don't follow this instructions, it may cause the boat to overturn or explode and result in drowning.

- Do not exceed the maximum recommended number of persons. Regardless of the number of persons on board, the total weight of persons and equipment must never exceed the maximum recommended load. Always use the seats /seating spaces provided.
- When loading the craft, never exceed the maximum recommended load: Always load the craft carefully and distribute loads appropriately to maintain design trim (approximately level). Avoid placing heavy weights high up.
NOTE: The maximum recommended load includes the weight of all persons onboard, all provisions and personal effects, any equipment not included in the light craft mass, cargo (if any) and all consumable liquids (water, fuel, etc.).
- When using the boat, life saving devices such as life jackets and buoys should be pre-inspected and used at all times.
- Before every use, carefully inspect all boat components including air-chambers, grab ropes, oars, and air valves, to ensure everything is in good condition and tightly secured. If you find any damage, please stop to repair it.
- Buckets, water scoops and air pumps should always be available in case of air leakage or if the boat takes on water.
- When the boat is in motion, all passengers must remain seated at all times to avoid falling overboard. Keep the boat balanced. Uneven distribution of persons or load in the boat may cause the boat to overturn and result in drowning.
- Use the boat near the shore and beware of natural factors such as wind, tide waters and tidal waves.

BE AWARE OF OFFSHORE WINDS AND CURRENTS.

- If one chamber is punctured when the boat is in the water, it may be necessary to fully inflate the other air chamber to prevent the boat from sinking.
- Be careful when landing on the shore. Sharp and rough objects such as rocks, cement, shells, glass, etc. may puncture the boat. To avoid damage, do not drag the boat on rough surfaces.
- Inflate according the numbered air chamber and rated pressure of the boat, or it will cause over-inflation and potential boat explosion. Exceeding the data given on the capacity plate may cause the craft to be damaged, overturn and lead to drowning.
- Know how to operate a boat. Check in your local area for information and/or training as needed. Inform yourself about local regulations and dangers related to boating and/or other water activities.
- The operator of a vessel is responsible for the maintenance and safe conduct of the vessel and the safety of passengers.
- Prohibit the product misuse, such as, but not limited to: (a) riding seat back, gunwale, or other unsafe position, (b) failure to use handhold, (c) overloading or improper

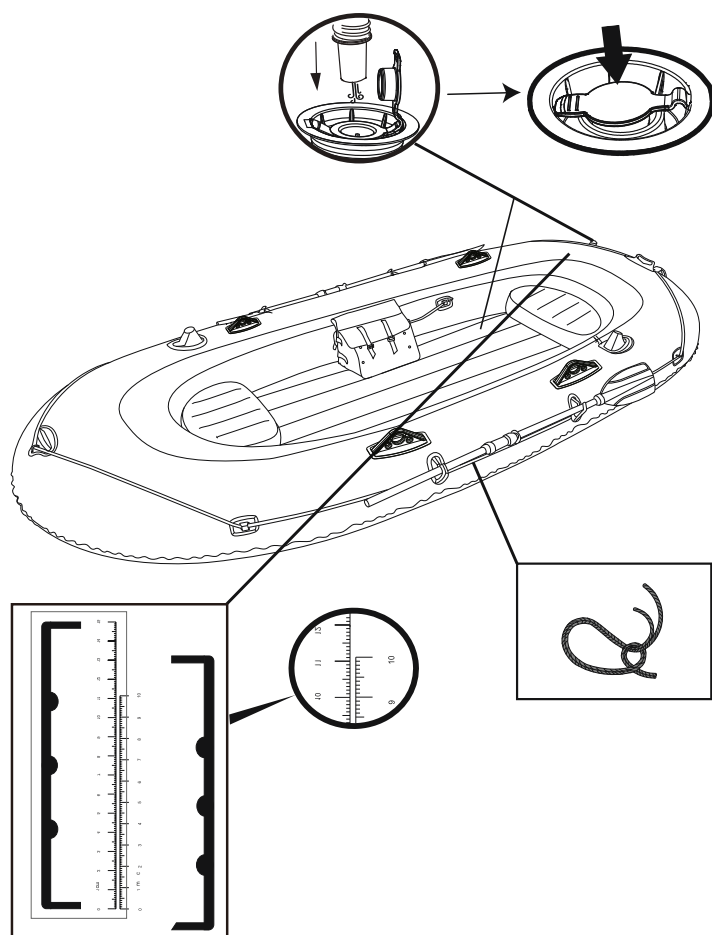
loading, (d) excessive speed for the operating conditions, (e) using a boat in weather or sea conditions beyond the skill or experience of the operator, (f) continued operation with operator's visibility blocked or impaired, (g) operating under the influence of drugs or alcohol, and/or (h) modifications.

14. Boat operation where the boat operator or occupants are not under the influence of drugs and/or alcohol.
15. Knowledge of federal, state, and/or local regulations concerning operation requirement, including: (a) discharge of oil, (b) solid waste disposal (Marpol Treaty), (c) marine sanitation, (d) speed, (e) noise, and (f) wake.
16. Knowledge of accident reporting requirements.
17. The owner or operator of a vessel is required by law to render assistance to any individual or vessel in distress, as long as his vessel is not endangered in the process.
18. U.S.Coast Guard Infoline: (800)368-5647. Website: www.uscgboating.org

SAVE THESE INSTRUCTIONS

Assembling of the boat

NEVER USE HIGH PRESSURE AIR TO INFLATE INFLATABLES. THIS CAN DAMAGE YOUR PRODUCT AND VOID YOUR WARRANTY



NEVER USE THE AIR PRESSURE MACHINE TO INFLATE

• Inflate the air chambers with a HAND air pump. An inflation scale is provided with the product. Inflate the product until the printed scale is charged up to the same level as that of the supplied scale. (refer the table and illustrations below).

Caution: Under and over-inflation of the boat will result in safety hazards. It is better to check the pressure of the boat each time before use. If you use another pressure gauge, the boat pressure should not be more than the data given on the builder's plate.

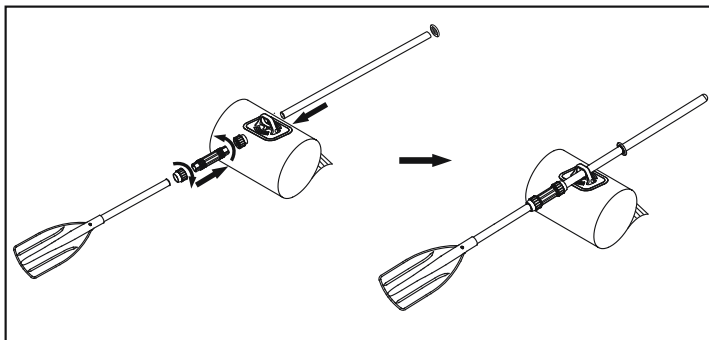
- Never stand on or rest objects on the boat during inflation.
- Inflate the bottom chamber and other accessories such as seat until it is stiff to the touch but NOT hard.
- Extended exposure to sun can shorten the lifespan of your boat. We suggest not leaving boats in direct sunlight for more than 1 hour after use.

Item	Product Inflated Size	Deflated Size	Inflated Size Chamber 1	Inflated Size Chamber 2	Inflated Size Chamber 3
65051E	8ft. x 40in. 2.43m x 1.02m	5cm / 10cm	5.4cm	5.4cm	13cm
65001E	11ft.5in. x 56in. 3.48m x 1.41m	5cm / 10cm	5.4cm	5.4cm	11.8cm
65008E	10ft.4in. x 49in. 3.16m x 1.24m	5cm / 10cm	5.4cm	11cm	11cm

Warning: Overpowering a boat can result in serious injury, death or boat damage. To ascertain the maximum motor power which can be used, see the markings on the product.

Oars Installation

1. For 65001E, 65051E



Note: When the oars are not in use, lock the oars into the Oar Clasps to avoid damage.

Storage

1. Remove the Oars from the oarlocks.
Note: Keep all accessories for future use.
2. Carefully clean the boat using a mild soap with clean water.
Note: Do not use acetone, acid, and/or alkaline solutions.
3. Use a cloth to gently dry all surfaces.
Note: Do not dry the product in direct sunlight. Also, never dry with equipment such as electric blowers. Doing so will cause damage and shorten the boat's life span.
4. Deflate the hull chambers. Deflate all the hull chambers at the same time so the air-pressure drops together. This will prevent damage from occurring to the boat inner structures. Next, deflate the floor.



5. Fold the boat from front to back to remove additional air. You can also use a pump to drain any remaining air.

Repair

1. If there is a small puncture, repair it according to the instruction on the repair patch.
2. If the hole is too big to be repaired with the provided patch, purchase a Bestway repair kit or send the boat to a speciality shop to make the repair.

Registration

If you need to register your boat, please have the boat Hull Identification Number and model name ready and then visit bestwaycorp.com/support to obtain your Certificate of Origin, or you can send e-mail to info.service@bestwaycorp.us for the Certificate of Origin. The HIN is located on the starboard outboard side of the hull and near the stern.

PLEASE KEEP THIS MANUAL IN A SECURE PLACE, AND HAND IT OVER TO THE NEW OWNER WHEN YOU SELL THE CRAFT.



©2021 Bestway Inflatables & Material Corp.

All rights reserved/Tous droits réservés/Todos los derechos reservados/Alle Rechte vorbehalten/Tutti i diritti riservati

Trademarks used in some countries under license from/
Marques utilisées dans certains pays sous la licence de/

Marcas comerciales utilizadas en algunos países bajo la licencia de/
Die Warenzeichen werden in einigen Ländern verwendet unter Lizenz der/

Marchi utilizzati in alcuni paesi concessi in licenza a

Bestway Inflatables & Material Corp., Shanghai, China

Manufactured, distributed and represented in the European Union by/
Fabriqués, distribués et représentés dans l'Union Européenne par/Fabricado, distribuido y representado en la Unión Europea por/

Hergestellt, vertrieben und in der Europäischen Union vertreten von/Prodotto, distribuito e rappresentato nell'Unione Europea da

Bestway (Europe) S.r.l., Via Resistenza, 5, 20098 San Giuliano Milanese (Milano), Italy

Distributed in Latin America by/Distribué en Amérique latine par/Distribuido en Latinoamérica por/Distribuído na América Latina por

Bestway Central & South America Ltda, Salar Ascotan 1282, Parque Enea, Pudahuel, Santiago, Chile

Distributed in Australia & New Zealand by **Bestway Australia Pty Ltd, Unit 2/98-104 Carnarvon St Silverwater, NSW 2128, Australia**

Tel: Australia: (+61) 29 0371 388; New Zealand: 0800 142 101

Distributed in United Kingdom by **Bestway Corp UK Ltd, 8 Wentworth Road, Heathfield Industrial Estate, Newton Abbot, Devon, TQ12 6TL**

Exported by/Exporté par/Exportado por/Exportiert von/Esportato da

Bestway (Hong Kong) International Ltd./Bestway Enterprise Company Limited

Suite 713, 7/Floor, East Wing, Tsim Sha Tsui Centre, 66 Mody Road, Kowloon, Hong Kong

Tel: +86 21 69135588 (For U.S. and Canada)

www.bestwaycorp.com